

PRODUCT SPECIFICATION VILI Downlight 4"

P/N: NU4-RD-TW-20LM-2765-95-HE60-120-DALIZ-RET-WH-WH



SOLUTION DESCRIPTION

PRODUCT DESCRIPTION

The BrainLit VILI is a powerful yet discreet, dynamic, recessed LED downlight that brings life and contrast to any room. It provides balance to the emotional experience of a space. By dynamically adjusting its color temperature anywhere between cold white (6500K) to warm white (2700K) you can transform the ambience of a room and promote the circadian alignment.

The BrainLit VILI embraces the black body curve with exceptional color rendering while dimming smoothly down to 0.1%. In addition, this new technology allows you to respond to changing demands in lighting requirements or design without replacing fixtures.

AREAS OF USE (examples)

Office	High End Offices / High Risk Offices / Meetings & Seminar Rooms
Industrial	High Value Manufacturing / High Risk Operations / Control Rooms
Education	Conference Rooms / Classrooms
Hospitality	Customer Service Centres / Receptions / Conference Centres / Terminals / Lounges / Premium Room Settings
Healthcare	N/A
Residential	Nursing Homes / Elderly Care / Grand Room

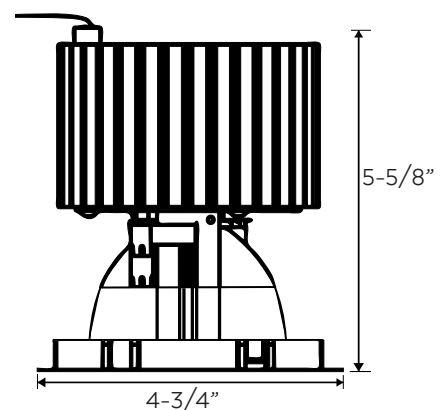
MEASUREMENTS / PACKAGING

Weight (lbs)	4.5
Height (in)	5-5/8"
Diameter (in)	4-3/8"
Box quantity	1

MARKET AVAILABILITY

AMERICAS	US, Canada
-----------------	------------

Cutout diameter:
4-3/8"



Driver enclosure size:
LxWxH (in): 8-5/8 x 3-1/2 x 1-1/2



PRODUCT TECHNICAL SPECIFICATION

LIGHT PROPERTIES

Light source type	LED
LED color temperature	2700K-6500K
Color rendering	CRI/Ra >90
Lumen output	1,300lm
mDER range	41% - 98%
Beam angle	60°
Dimming range	0.1% - 100%
Flicker handling	$P_{st}^{LM} \leq 1$, SVM ≤ 0.4 , IEEE 1789 comp.
Lifetime	0.85 (LLMF 50,000h) >100,000h (L70B50)

POWER PROPERTIES

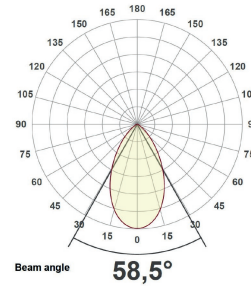
Rated input power	25W																		
Efficacy*	65 lm/W																		
Supply voltage range	120 V - 277 V																		
Supply power frequency	50/60Hz																		
Maximum circuit breaker loading (no of luminaires):	<table border="0"> <tr> <td></td> <td>10A</td> <td>15A</td> <td>20A</td> <td>25A</td> <td>30A</td> </tr> <tr> <td>@277V</td> <td>38</td> <td>56</td> <td>76</td> <td>96</td> <td>114</td> </tr> <tr> <td>@120V</td> <td>16</td> <td>24</td> <td>32</td> <td>40</td> <td>50</td> </tr> </table>		10A	15A	20A	25A	30A	@277V	38	56	76	96	114	@120V	16	24	32	40	50
	10A	15A	20A	25A	30A														
@277V	38	56	76	96	114														
@120V	16	24	32	40	50														
DALI device type	6																		
DALI-2 compliant	No																		
Power, DALI connection	Splice box																		

MECHANICAL PROPERTIES

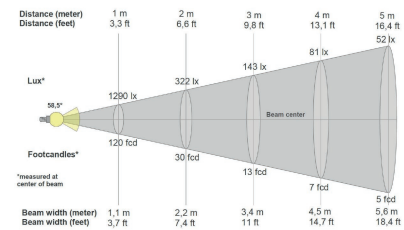
Colors	White
Material	Electrocoated cold-rolled steel, die cast aluminum, PC
Mounting	Recessed
Configuration	Recessed downlight
IP rating	Wet locations
Certifications	usETL Listed to UL1598 cETL Listed to CSA C22.2 #250.0

TYPICAL CHARACTERIZATION DATA

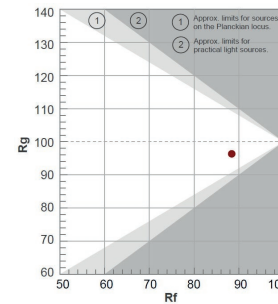
Light distribution



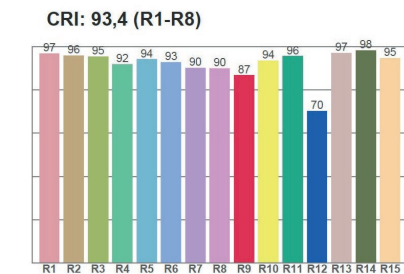
Beam description



Color rendering TM-30



Color rendering CRI, (CIE 1931)



This document contains information that is subject to change without notice. This document is solely intended for, and may only be used for, the purpose of providing luminaire products to the BrainLit BioCentric Lighting System. The performance indications for BrainLit products set forth in this document are based on, and conditioned on, the products being used solely in the BrainLit BioCentric Lighting System. However, this document shall not be deemed a product warranty, whether express or implied. The BrainLit product warranty is solely contained in the purchase agreement with each customer. This document is subject to BrainLit AB's copyright. No part of this document may be reproduced or transmitted in any form or by any means, or shared with any third party, without the prior written approval of BrainLit AB. BrainLit products may be protected by one or more patents and by copyright and design rights. "BrainLit" and "BioCentric Lighting" are registered trade marks of BrainLit AB. This document does not confer upon the recipient a license to any of BrainLit intellectual property rights.