



PRODUCT SPECIFICATION

BIFROST Downlight 50 deg

P/N: 100037



SOLUTION DESCRIPTION

PRODUCT DESCRIPTION

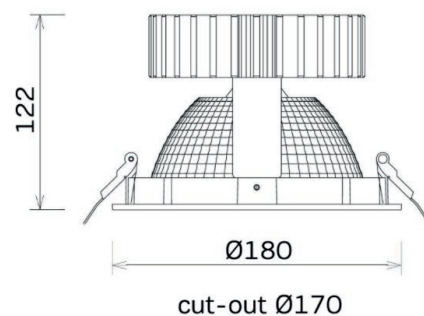
The BrainLit Bifrost is a medium sized, dynamic, recessed LED downlight that brings life and contrast to any room. It provides balance to the emotional experience of a space. By dynamically adjusting its color temperature anywhere between cold white (6500K) to warm white (2700K) you can transform the ambience of a room and promote the circadian alignment. The BrainLit Bifrost embraces the black body curve with exceptional color rendering while dimming smoothly down to 0,1%.

AREAS OF USE (examples)

- Office** High Value Offices / High Risk Offices / Meetings & Seminar Rooms
- Industrial** High Value Manufacturing / High Risk Operations / Control Rooms
- Education** Conference Centres / Class Rooms
- Hospitality** Customer Interaction Centres / Receptions / Conference Centres / Terminals / Lounges / Premium Room Settings
- Residential** Nursing Homes / Elderly Care / Luxury Room Settings

MEASUREMENTS / PACKAGING

Weight (kg)	1,2
Size LxWxH (mm)	NAxNax122
Diameter (mm)	180
Box quantity	1
Boxed size LxWxH (mm)	300x200x200
Boxed weight (kg)	1,5
UGR 4H 8H	17,2



Driver size LxWxH (mm): 185x44x31

MARKET AVAILABILITY

EMEA EU



PRODUCT TECHNICAL SPECIFICATION

LIGHT PROPERTIES

Light source type	LED
LED color temperature	2700K-6500K
Color rendering	CRI/Ra >90
Lumen output	1800lm
mDER range	45%-93%
Beam angle	54°
Dimming range	0,1% - 100 %
Flicker handling	$P_{st}^{LM} \leq 1$, SVM $\leq 0,4$, IEEE 1789 comp.
Lifetime	0,91 (LLMF 50 000h) >100 000h (L70B50)

POWER PROPERTIES

Rated input power	21 W
Efficacy*	94 lm/W
Supply voltage range	220-240V
Supply power frequency	50/60Hz
Maximum circuit breaker loading (no of luminaires):	B10 B13 B16 C10 C13 C16 @230V 66 86 106 66 86 106
DALI device type	6
DALI-2 compliant	Yes
Power and DALI connector	WAGO WINSTA®. Cable length 0,5 m

MECHANICAL PROPERTIES

Colors	White matte (RAL 9003)
Material	Aluminum
Configuration	Recessed downlight
Mounting	Recessed
IP rating	20
Certifications	CE

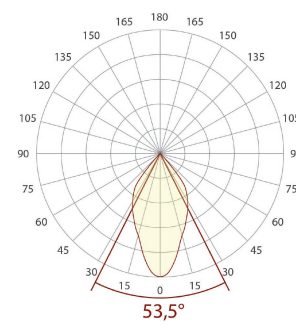
*At maximum intensity and CCT

This document contains information that is subject to change without notice. This document is solely intended for, and may only be used for, the purpose of providing luminaire products to the BrainLit BioCentric Lighting System. The performance indications for BrainLit products set forth in this document are based on, and conditioned on, the products being used solely in the BrainLit BioCentric Lighting System. However, this document shall not be deemed a product warranty, whether express or implied. The BrainLit product warranty is solely contained in the purchase agreement with each customer. This document is subject to BrainLit AB's copyright. No part of this document may be reproduced or transmitted in any form or by any means, or shared with any third party, without the prior written approval of BrainLit AB. BrainLit products may be protected by one or more patents and by copyright and design rights. "BrainLit" and "BioCentric Lighting" are registered trade marks of BrainLit AB. This document does not confer upon the recipient a license to any of BrainLit intellectual property rights.

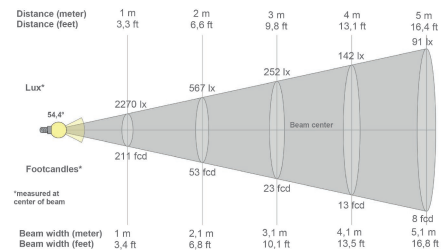
TYPICAL CHARACTERIZATION DATA

Light distribution

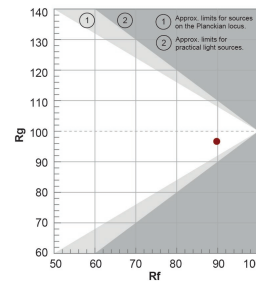
Light distribution



Beam description



Color rendering TM-30



Color rendering CRI, (CIE 1931)

CRI: 96,1, R1-R8

