



# LOKE Pendant Up/Down 120

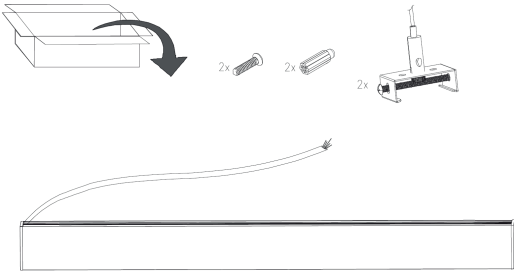
LOKE can be installed as a standalone luminaire (see page 1) or connected in a continuous run (page 4).

## Single luminaire

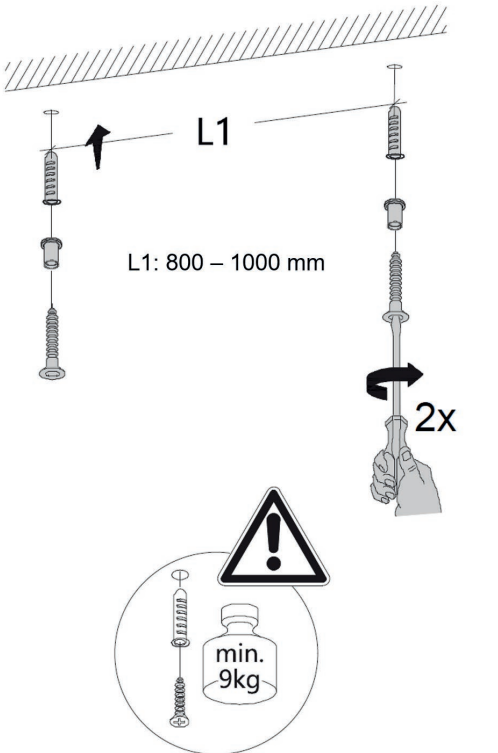
LOKE can be mounted directly to the ceiling or to the T-bars of a suspended ceiling using the included T24 T-bar clips

### Mounting directly to ceiling

- 1.) Unbox luminaire and pendant wires. Use screws and plugs suitable for your ceiling



- 2.) Fasten the mounting stud to the ceiling

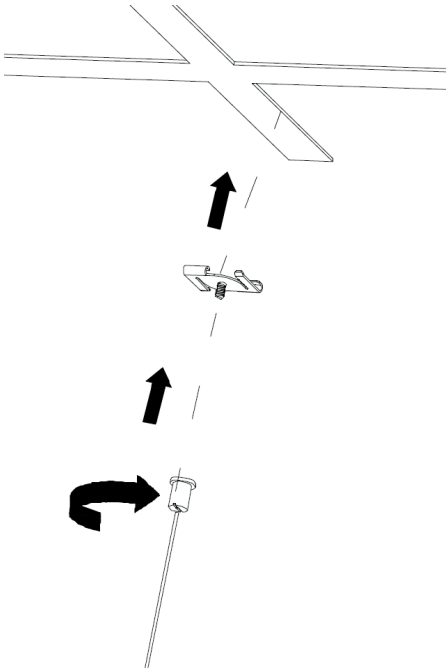


L1: 800 – 1000 mm

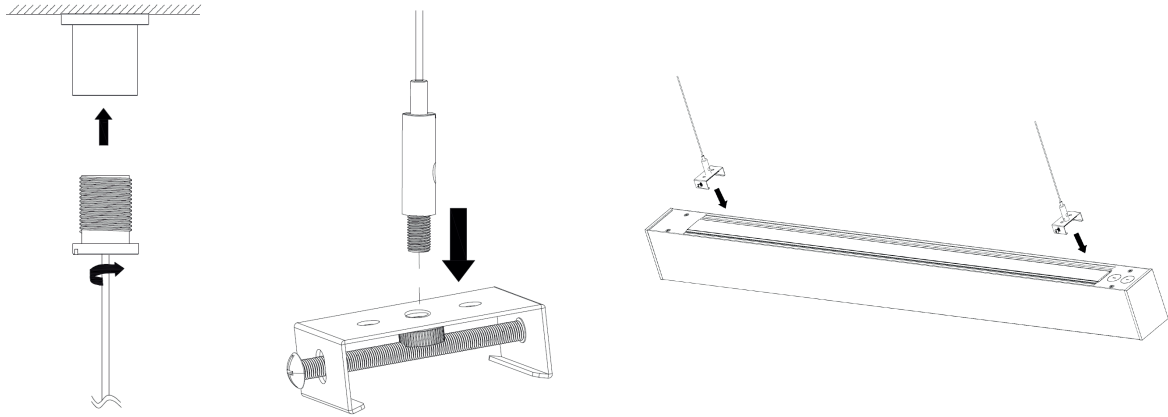
min. 9kg

### Mounting with T-bar clip

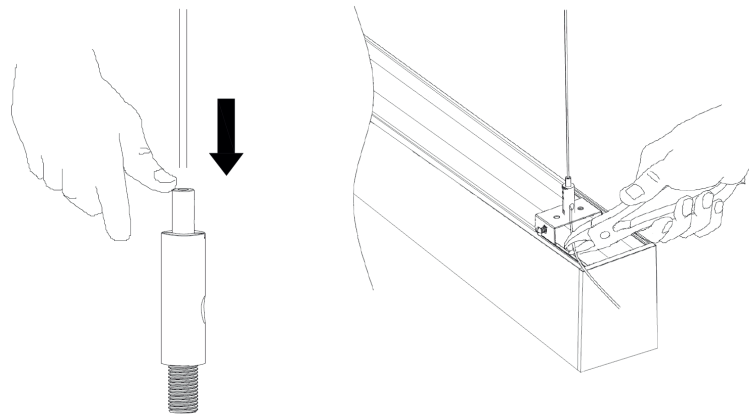
- 1.) Confirm with your ceiling manufacturer that the T-bar profiles are capable of supporting the weight of the luminaire.
- 2.) Secure T-bar clip to T24 profile in the suspended ceiling. Attach the mounting stud to the bolt on the T-bar clip



- 3.) Fasten the threaded wire fitting to the mounting stud. Attach the other end to the luminaire bracket. Attach luminaire bracket to luminaire and secure it by fastening the screw.



- 4.) Adjust luminaire height and cut wire to appropriate length, leaving room for future adjustment. Remaining wire can be placed in the slots next to the top side light source




- 5.) Perform the electrical installation according to standards and regulations in your region (see page 3: "Electrical installation")
- 6.) Use zip-ties to neatly secure the power cable to the suspension wire

## Electrical installation

Disconnect power before installation, maintenance or service.

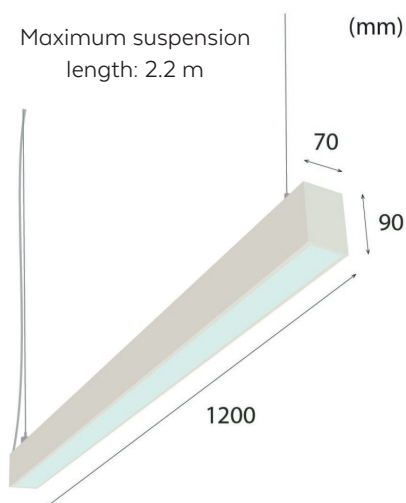
**EU WAGO**  
Connect the WAGO connectors



**EU Terminal**  
Remove WAGO connector from cable. Internal wires are color coded:  
Neutral (N): Blue  
Line (L): Brown  
Protective ground (⊥): Green  
DA+: Grey  
DA-: Black  
DALI is polarity insensitive.

## LOKE Data

<b>Maximum circuit breaker loading (no of luminaires):</b>	@230V	B10	B13	B16	C10	C13	C16
		21	27	33	21	27	33
<b>Rated power:</b>	75W						
<b>Weight:</b>	4.9 kg						
<b>Light source energy class:</b>	C						
<b>User replaceable light source:</b>	No						

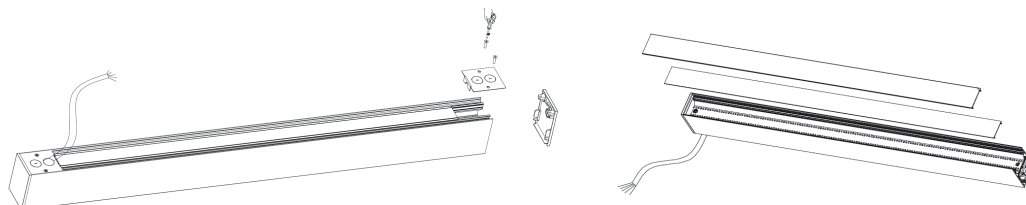


## Continuous run luminaire

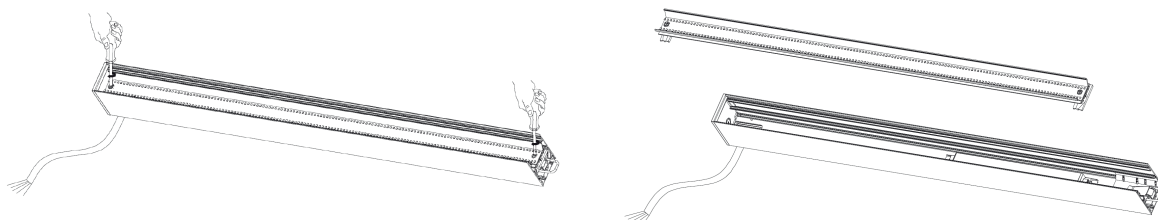
Multiple LOKE luminaires can be connected together to form a continuous run luminaire. Up to 6 luminaires can be powered by through-wiring.



- 1.) To prepare the first luminaire: Remove cover plate and end cap. Remove diffusers.

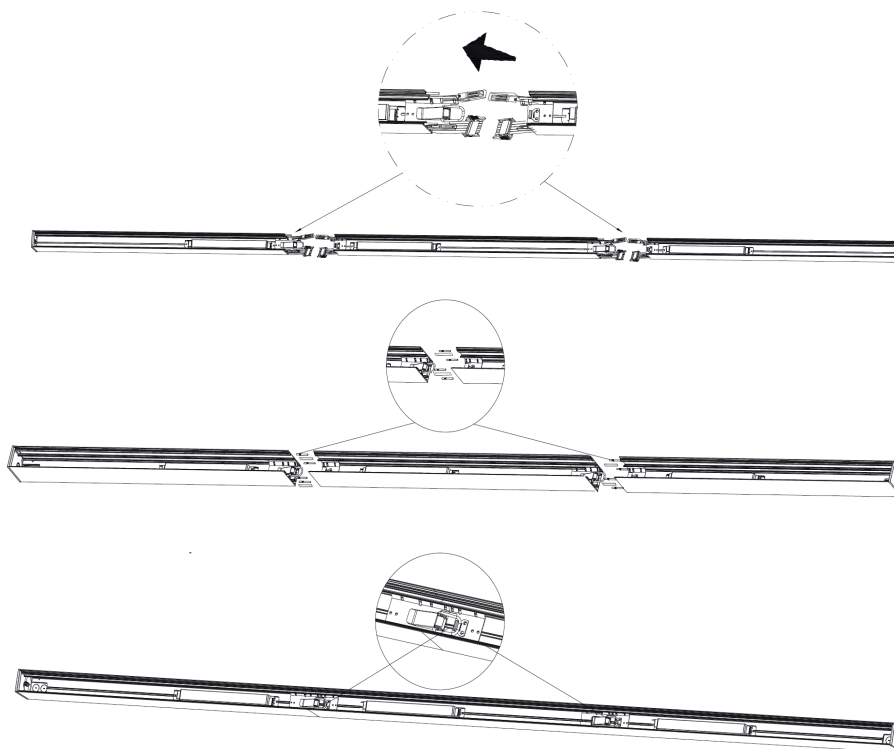


- 2.) Rotate plastic screws 90 degrees counter-clockwise and lift up the LED assembly.



- 3.) Continue with the rest of the luminaires.  
On the end unit, remove one cover plate, one end cap and power cable.  
On the middle units, remove both cover plates, both end caps and the power cable.

- 4.) Connect the electrical interconnects. Install the guide pins. Fasten the latch.



- 5.) Reinstall the LED assemblies and lock it in place by fastening the plastic screws 90 degrees. Be careful not to pinch any cables or wires.
- 6.) Attach the wire locks to the interconnect covers and secure them with a nut on the backside. Install the covers on the luminaire.



- 7.) Continue with the instructions on page 1-3 for installation.

### Warning

- Disconnect or turn power off before installation, maintenance or service.
- Installation requires knowledge of luminaire's electrical systems. If not qualified, do not attempt installation. Contact a qualified electrician.
- BrainLit's luminaires must be installed in compliance with international wiring regulations (EN, IEE, NEC etc.).
- Secure luminaire compatibility with input voltage and frequency.
- To prevent wiring damage or abrasion, do not expose wiring to edges of sheet metal or sharp objects.
- Risk of fire or electric shock. Keep combustible and other inflammable materials away from lamp/lens.
- The luminaire is not suitable for covering with thermally insulating material.
- Do not operate in close proximity to persons, inflammable materials or substances affected by heat or drying.
- Wear gloves and safety glasses when removing luminaire from carton, installing, servicing or performing maintenance.
- Do not touch enclosure or light source.
- Allow lamp/luminaire to cool down before handling.
- The connecting cable is not waterproof.
- No user serviceable parts inside of luminaire.
- Luminaire to be independently supported to building structure.
- Avoid direct eye exposure to light source when luminaire is on.

*This document contains information that is subject to change without notice. This document is solely intended for, and may only be used for, the purpose of providing luminaire products to the BrainLit BioCentric Lighting System. The performance indications for BrainLit products set forth in this document are based on, and conditioned on, the products being used solely in the BrainLit BioCentric Lighting System. However, this document shall not be deemed a product warranty, whether express or implied. The BrainLit product warranty is solely contained in the purchase agreement with each customer. This document is subject to BrainLit AB's copyright. No part of this document may be reproduced or transmitted in any form or by any means, or shared with any third party, without the prior written approval of BrainLit AB. BrainLit products may be protected by one or more patents and by copyright and design rights. "BrainLit" and "BioCentric Lighting" are registered trade marks of BrainLit AB. This document does not confer upon the recipient a license to any of BrainLit intellectual property rights.*